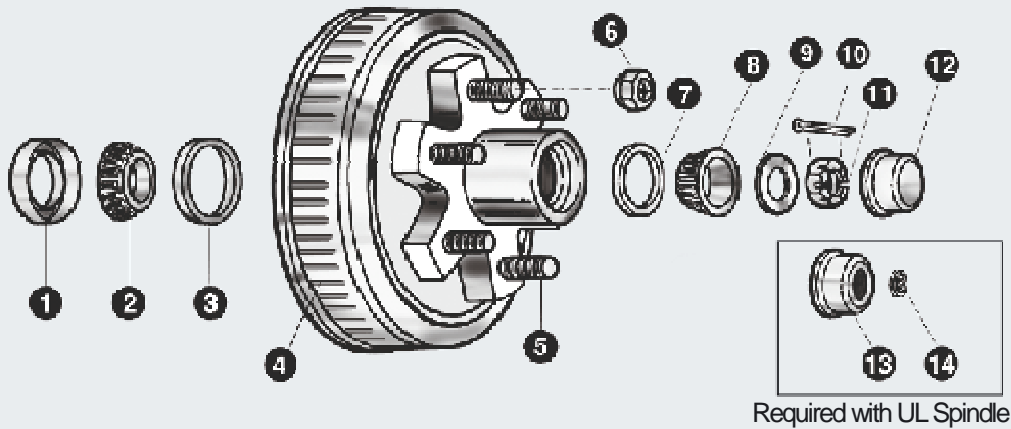


Service Replacement Parts

10" x 2 1/4" Drum 4.4K

4,000 - 4,400lb.



Parts List

No.	Brake Part Description	AL-KO Part No.	Hayes Part No.	No.	Brake Part Description	AL-KO Part No.	Hayes Part No.
1	Grease Seal Double Lipped	568861	568861	7	Outer Bearing Cup LM67010	363912	093702
2	Inner Bearing Cone 68149	363192	093705	8	Outer Bearing Cone LM67048	363197	093704
3	Inner Bearing Cup L68111	363914	093718	9	Spindle Washer 1" x 1 3/4" OD	363259	090509
4	Hub & Drum w/Cups & Studs	—	—	10	Cotter Pin	363258	091901
4	6 on 5.5" Bolt Circle	568955	—	11	Spindle Nut 1" -14	363257	09060101
5	Stud 1/2" - 20 x 2	1530092	—	12	Grease Cap	363199	092102
5A	Stud 1/2" - 20 x 1.81 Long Knurl	363907	09251525	13	Grease Cap (UL)	363496	09210101
6	Wheel Nut, 1/2" - 20 60° Cone	363203	090608	14	Rubber Plug (UL)	568067	09213611

4.0K brake drum service replacement parts can be found on page 34.

WARNING: AL-KO Kober Corporation manufacture hubs and drums that are compatible with many wheels used in the trailer industry that have matching bolt patterns. AL-KO does not manufacture wheels, nor do they recommend a specific wheel for compatibility with the hubs and drums they manufacture. The wheel manufacturer should be contacted for proof of compatibility before use.