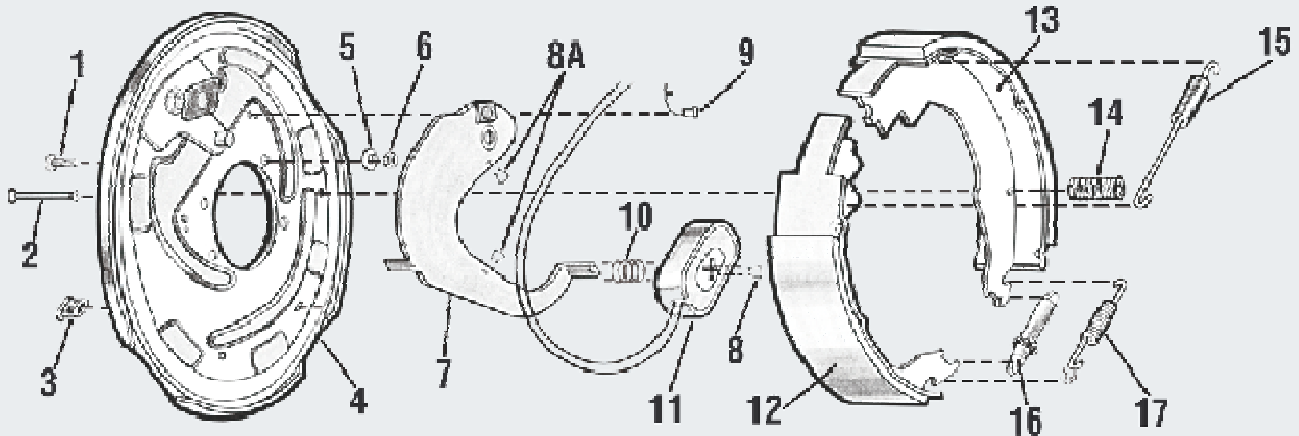


# Service Replacement Parts

## 12" x 2" Electric Brake RT-80, ST-80, and DR-80



### Parts List

No.	Brake Part Description	AL-KO Part No.	Hayes Part No.	No.	Brake Part Description	AL-KO Part No.	Hayes Part No.
0	RH Brake Assembly Complete	568905	—	9	Strain Relief, Wire	568090	092715
0	LH Brake Assembly Complete (shown)	568906	—	10	Magnet Spring	568103	096522
1	Brake Mounting Stud, 1/2" - 20	363989	090761	11	Magnet Assembly	K568111	K568111
2	Shoe Hold Down Pin	568094	09661106	12	Primary Shoe & Lining	568150	—
3	Plug Adjuster Slot	568089	096932	13	Secondary Shoe & Lining RH	6138	—
4	Backing Plate Assembly - 4 Bolt	—	—	13	Secondary Show & Lining LH	6137	—
5	Brake Lock Washer 3/8"	363334	363334	14	Shoe Hold Down Cup & Spring	568093	10443
6	Brake Mounting Nut 3/8" - 24	363333	090625	15	Shoe Retract Spring	568096	096527
7	RH Lever Assembly	568113	—	16	Adjuster Screw Assembly	568110	60272401
7	LH Lever Assembly (Shown)	568114	—	16	Adjuster Screw Socket	568086	60272801
8	Clip, Wire & Magnet	568092	09680815	17	Adjuster Screw Spring	568095	096526
8A	Clip Wire Retainer	568183	—				

8,000lb.

**WARNING:** AL-KO Kober Corporation manufacture hubs and drums that are compatible with many wheels used in the trailer industry that have matching bolt patterns. AL-KO does not manufacture wheels, nor do they recommend a specific wheel for compatibility with the hubs and drums they manufacture. The wheel manufacturer should be contacted for proof of compatibility before use.