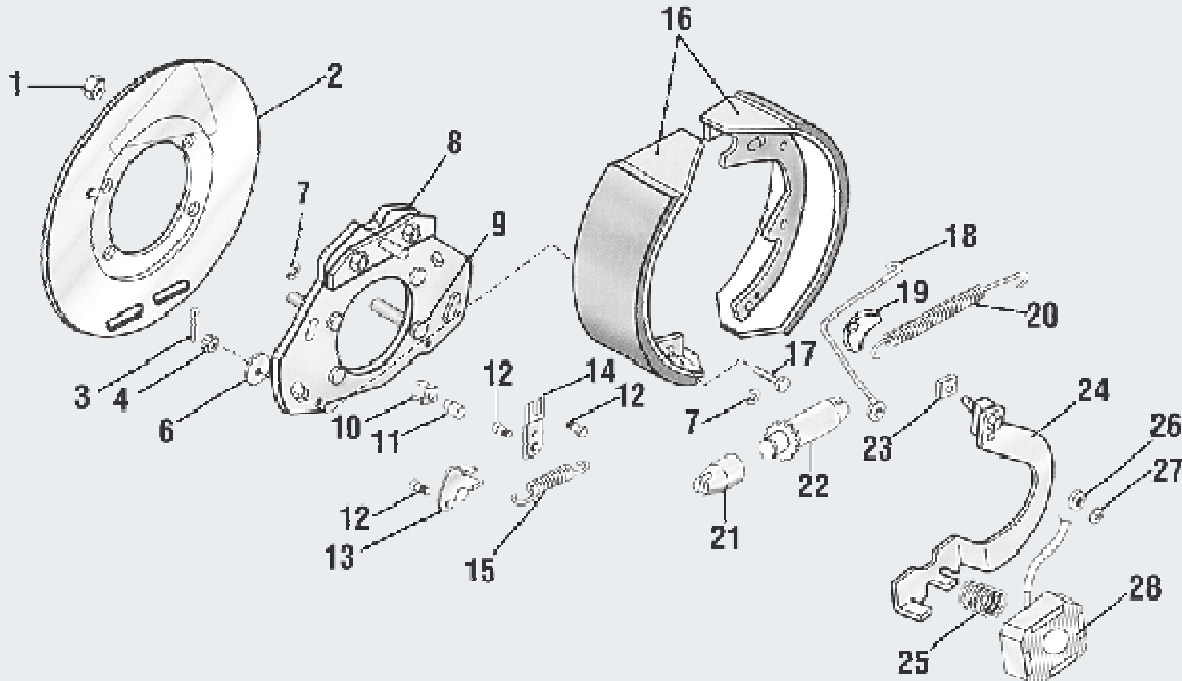


# Service Replacement Parts

## 12" x 3 3/8" Electric Drum T-80, D-80 And H-80



### Parts List

No.	Brake Part Description	AL-KO Part No.	Hayes Part No.	No.	Brake Part Description	AL-KO Part No.	Hayes Part No.
0	RH Brake Assembly complete (shown)	363602	60204306	16	Shoe and Lining Kit	K363924	K363924
0	LH Brake Assembly Complete	363601	60204406	17	Shoe Hold Down Bolt	568227	090759
1	Brake Attaching Nut, 1/2" - 20	568235	090617	18	Cable Assembly	568245	096936
2	Dust Cover	568289	09694612	19	Cable Guide	568246	5758
3	Shoe Hold Down Cotter Pin	568224	091905	20	Shoe Retract Spring	568226	5609
4	Shoe Hold Down Nut	568233	090647	21	Self Adjuster Socket	568272	602723
6	Shoe Hold Down Washer	568232	090541	22	RH Adjuster Assembly (shown)	568256	602717
7	Pin Retaining "C" Clip	568249	096806	22	LH Adjuster Assembly	568257	602718
8	Backing Plate Assembly	—	—	23	Slipper Block	568242	096939
9	Brake Mounting Stud 1/2" - 20	568250	09251523	24	RH Lever Assembly (shown)	568236	603135
10	Strain Relief Adapter	568258	096937	24	LH Lever Assembly	568237	603136
11	Strain Relief	568243	092715	25	Magnet Spring	568240	096522
12	Self Adjuster Pivot Pin	568238	096618	26	Lever Retaining Washer	568248	090540
13	RH Auto Adjust Lever (shown)	568253	096321	27	Lever Retaining "E" Clip	568247	096803
13	LH Auto Adjust Lever	568254	096322	28	Magnet	—	—
14	Self Adjuster Bias Lever	568241	096323	29	Magnet Assembly Kit contains #10, #11, #25, #28	K568252	K568252
15	Self Adjuster Spring	568239	096523				

**WARNING:** AL-KO Kober Corporation manufacture hubs and drums that are compatible with many wheels used in the trailer industry that have matching bolt patterns. AL-KO does not manufacture wheels, nor do they recommend a specific wheel for compatibility with the hubs and drums they manufacture. The wheel manufacturer should be contacted for proof of compatibility before use.

8,000lb.