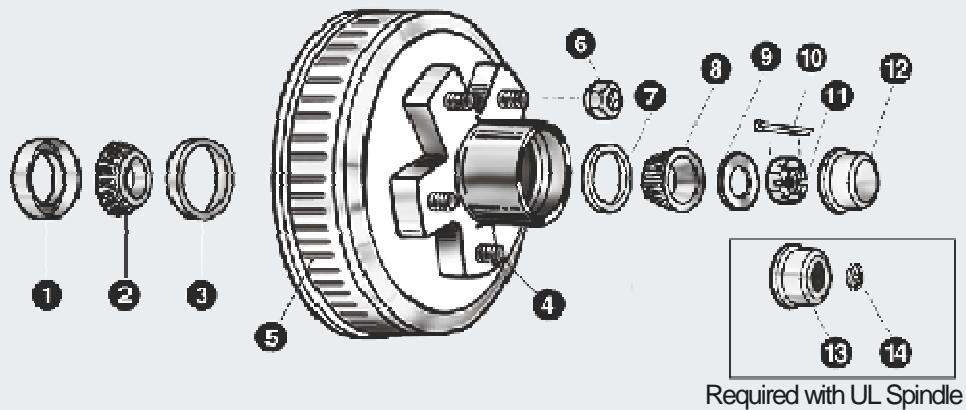


Service Replacement Parts

Advanced Design 10"x1 3/4" Drum

2,200 - 3,500lb.



Parts List

No.	Brake Part Description	AL-KO Part No.	Hayes Part No.	No.	Brake Part Description	AL-KO Part No.	Hayes Part No.
1	Grease Seal Double Lipped	568861	09103305	7	Outer Bearing Cup L44610	363913	093707
2	Inner Bearing Cone 68149	363192	093705	8	Outer Bearing Cone 44649	363180	093706
3	Inner Bearing Cup L68111	363914	093718	9	Spindle Washer 1" x 1 3/4" OD	363259	090509
4	Stud 1/2" - 20 x 2	1530092	—	10	Cotter Pin	363258	091901
5	Hub & Drum/Cups & Studs	—	—	11	Spindle Nut 1" -14	363257	09060101
5A	5 on 4.5" Bolt Circle	1530189	—	12	Grease Cap	363182	092102
5B	5 on 5.0" Bolt Circle	1530190	—	13	Grease Cap (UL)	363277	09210104
6	Wheel Nut, 1/2" - 20 60° Cone	363203	090608	14	Rubber Plug (UL)	568067	09213611

WARNING: AL-KO Kober Corporation manufacture hubs and drums that are compatible with many wheels used in the trailer industry that have matching bolt patterns. AL-KO does not manufacture wheels, nor do they recommend a specific wheel for compatibility with the hubs and drums they manufacture. The wheel manufacturer should be contacted for proof of compatibility before use.